

LIVI 902

Automations for counterweight overhead door



NET230N 230V a.c. operators with control board

COD.	Art.	EN	EN	DEA	Rpm	EN COD ER	OTHER CHARACTERISTICS
633410	905NET				1.400		Magnetic encoder
633411	905NET/P				1.400		Integrated push-buttons Open/Close/Stop - magnetic encoder
633412	905NET/BF				1.400		Designed for unlocking device by cable - magnetic encoder
633413	905NETP/BF				1.400		Integrated push-buttons Open/Close/Stop - Designed for unlocking device by cable - magnetic encoder
633414	905NET/IP				1.400		Magnetic encoder - control board inside an IP44 box

230V a.c. operators without control board

COD.	Art.	EN	EN	DEA	Rpm	EN COD ER	OTHER CHARACTERISTICS
633360	902EN				1.400		Magnetic encoder
633351	902EN/BF				1.400		Designed for unlocking device by cable - magnetic encoder
633120	902R				900		Not self locking

Control board to complete the installation: control board cod. 677610 art. NET230N/C (with box)

NET24N 24V d.c. operators with control board

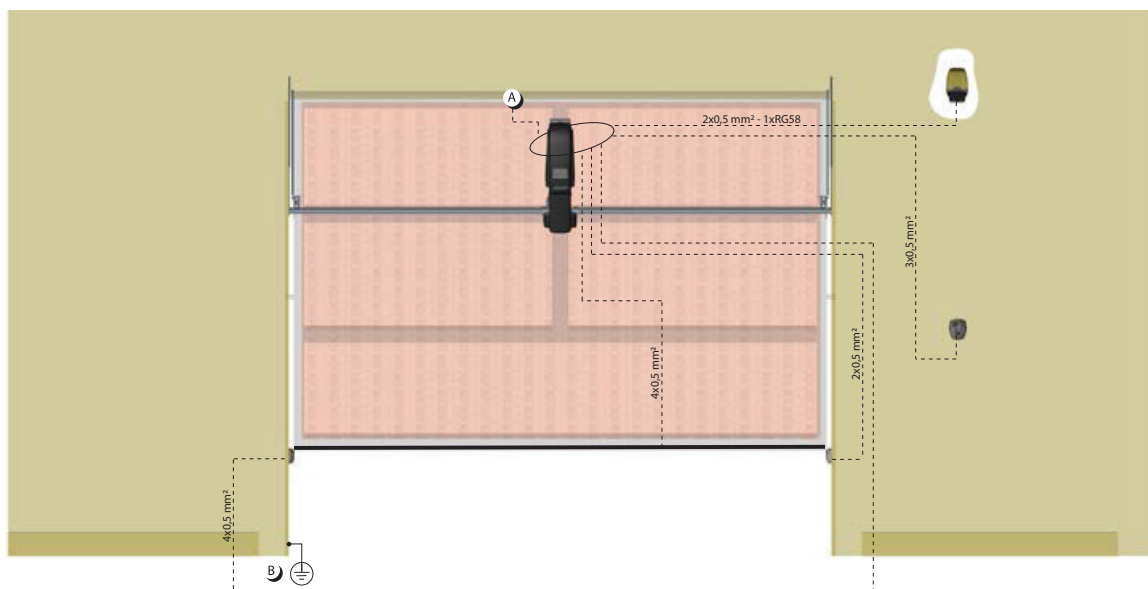
COD.	Art.	EN	EN	DEA	Rpm	EN COD ER	OTHER CHARACTERISTICS
633430	905/24NET				1.400		Magnetic encoder
633431	905/24NETP				1.400		Integrated push-buttons Open/Close/Stop - magnetic encoder
633432	905/24NET/BF				1.400		Designed for unlocking device by cable - magnetic encoder
633433	905/24NETP/BF				1.400		Integrated push-buttons Open/Close/Stop - Designed for unlocking device by cable - magnetic encoder

24V d.c. operators without control board

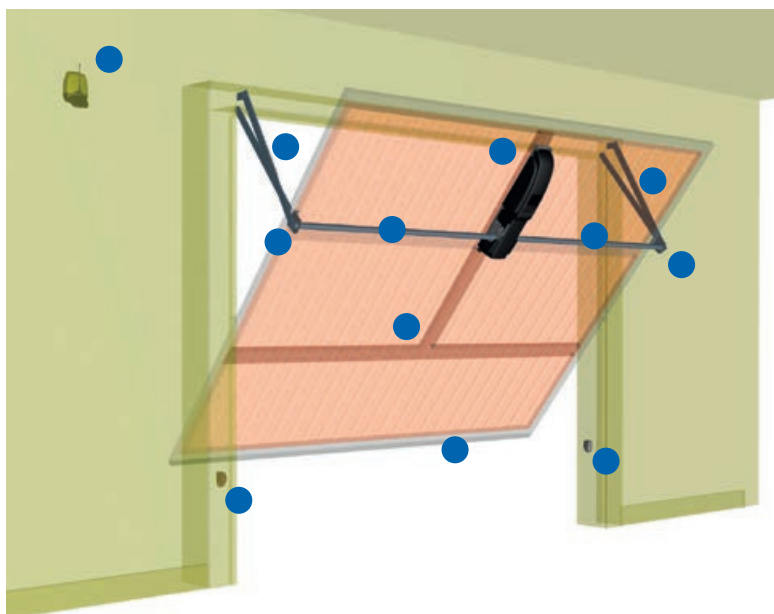
COD.	Art.	EN	EN	DEA	Rpm	EN COD ER	OTHER CHARACTERISTICS
633174	902/24EN				1.400		Magnetic encoder
633175	902/24EN/BF				1.400		Designed for unlocking device by cable - magnetic encoder

Control board to complete the installation: control board cod. 678261 art. NET24N/C (with box)

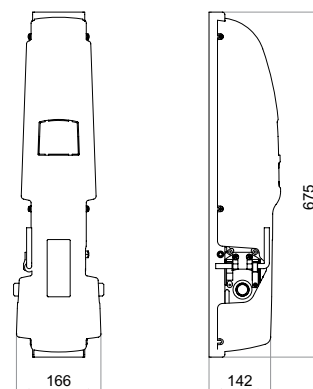
TECHNICAL INFO	902EN - 905NET - 905NET/P 902EN/BF - 905NET/BF - 905NETP/BF	905NET/IP	902R	905/24NET - 905/24NETP - 905/24NET/BF 905/24NETP/BF - 902/24EN - 902/24EN/BF
Motor power supply (V)	230 AC ± 10 % (50/60 Hz)	230 AC ± 10 % (50/60 Hz)	24 DC	24 DC
Maximum power absorption (W)	300	300	300	80
Max thrust (N)	295	295	162	180
Duty cycle (cycles/hours)	28	28	20	35
N. max cycles in 24h.	220	220	160	290
Built-in capacitor (µF)	8	8	8	\
Operating temperature (°C)	-10 ÷ 40	-10 ÷ 40	-10 ÷ 40	-10 ÷ 40
Motor thermal protection (°C)	150	150	150	\
Speed (rpm)	1,7	1,7	2,2	2,2
Weight with packing (Kg)	11	11	11	10
Protection degree	IPX0	IP44	IPX0	IPX0



EXAMPLE OF A TYPICAL INSTALLATION WITH 1 OPERATOR



DIMENSIONS



Cod. 633411
Art. 905NET/P
Operator for counterweight overhead door

Cod. 380380
Art. 953NL
Fixing plate 1,99 mt.

Cod. 639070
Art. 952BL
Pair of pipes with bushing, 2 mt (for central mounting)

Cod. 380990
Art. 955V
Pipe support to be screwed for tube \varnothing 40.5 (for central mounting)

Cod. 639140
Art. 950V
Telescopic straight arm to be screwed, right and left

Cod. 662030
Art. 104LUX
Pair of adjustable (15°) surface mounted photocells

Cod. 661062
Art. LED230AI
Led flashing light 230V with built-in antenna 433Mhz

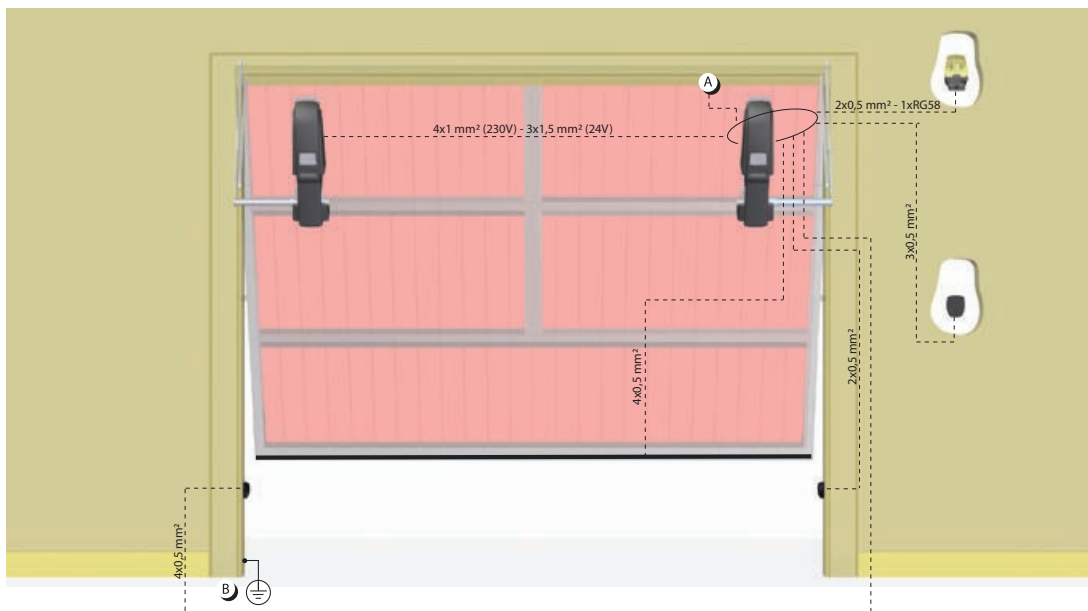
Cod. 672580
Art. TR2
Remote control
Black version art. TR2N also available (page 118)

Cod. 639100
Art. 960C
Hole cover with Viro key for external unlocking

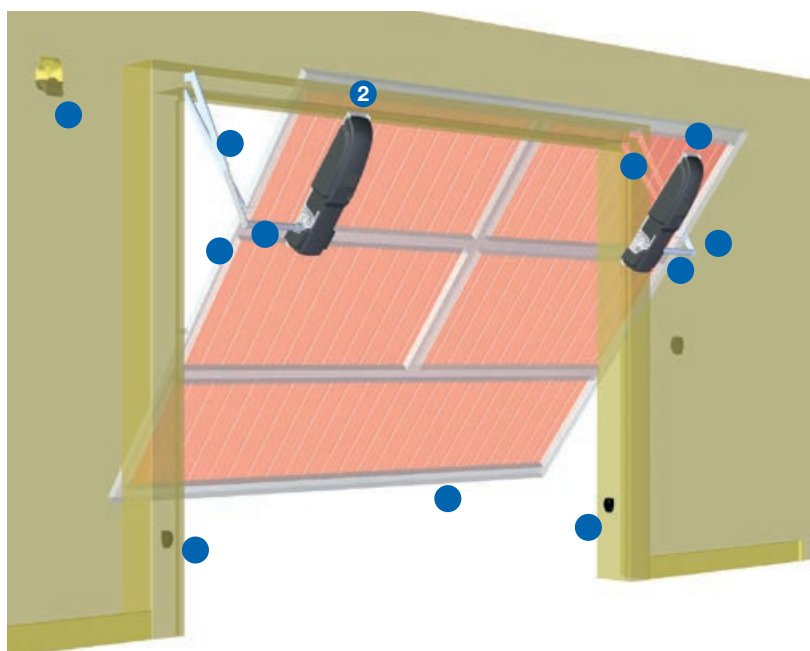
Cod. 668010
Art. 127
Warning sign

Cod. 667051 - **Art. SOFTP**
Safety rubber profile (complete with aluminium base) useful to reduce the impact forces. 24 mt

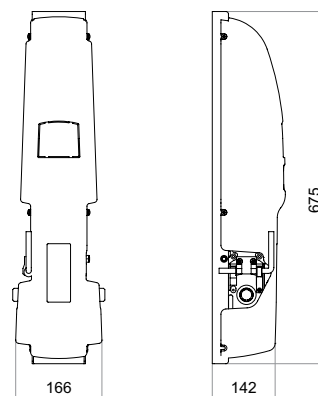
ELECTRICAL DIAGRAM WITH 2 OPERATORS



EXAMPLE OF A TYPICAL INSTALLATION WITH 2 OPERATORS



DIMENSIONS

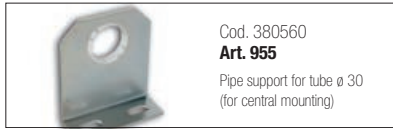


 <p>Cod. 633411 Art. 905NET/P Operator for counterweight overhead door</p>	 <p>Cod. 633360 Art. 902EN Operator for counterweight overhead door</p>	 <p>Cod. 639160 Art. 954V Splined bushing to be screwed, 300 mm.</p>
 <p>Cod. 380990 Art. 955V Pipe support to be screwed for tube \varnothing 40.5 (for central mounting)</p>	 <p>Cod. 639140 Art. 950V Telescopic straight arm to be screwed, right and left</p>	 <p>Cod. 662030 Art. 104LUX Pair of adjustable (15°) surface mounted photocells</p>
 <p>Cod. 661062 Art. LED230AI Led flashing light 230V with built-in antenna 433Mhz</p>	 <p>Cod. 672580 Art. TR2 Remote control Black version art. TR2N also available (page 118)</p>	 <p>Cod. 639100 Art. 960C Hole cover with Viro key for external unlocking</p>
 <p>Cod. 667051 - Art. SOFTP Safety rubber profile (complete with aluminium base) useful to reduce the impact forces. 24 mt</p>	 <p>Cod. 668010 Art. 127 Warning sign</p>	

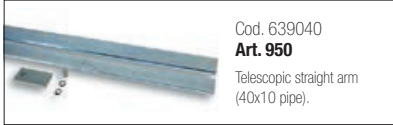
SPECIFIC ACCESSORIES



Cod. 380360
Art. 953C
"C" fixing plate, 102x31
L = 675mm (range 2)



Cod. 380560
Art. 955
Pipe support for tube ø 30
(for central mounting)



Cod. 639040
Art. 950
Telescopic straight arm
(40x10 pipe).



Cod. 639050
Art. 951
Telescopic bent arm to be
welded (40x10 pipe).



Cod. 639360
Art. 950BS
Straight arm with splined
500 mm bushing.



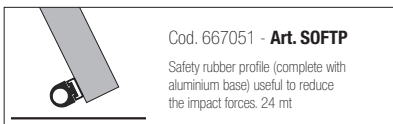
Cod. 639390
Art. 954D
Adapter splined bushing,
square hole dims 20x20.



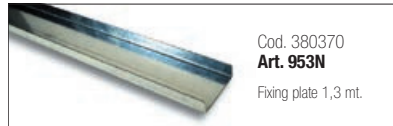
Cod. 639111
Art. 560F - 960F
Limit switches



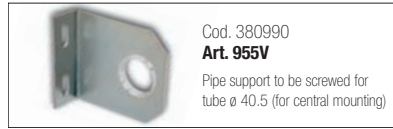
Cod. 639090
Art. 960K
Kit for external unlocking
device (to be connected to
the handle).



Cod. 667051 - **Art. SOFTP**
Safety rubber profile (complete
with aluminium base) useful to
reduce the impact forces. 24 mt



Cod. 380370
Art. 953N
Fixing plate 1,3 mt.



Cod. 380990
Art. 955V
Pipe support to be screwed for
tube ø 40.5 (for central mounting)



Cod. 639140
Art. 950V
Telescopic straight arm to be
screwed, right and left



Cod. 639151 left
Art. 951V
Telescopic bent arm
to be screwed.



Cod. 629190
Art. 560BT
Galvanized steel telescopic arm,
reinforced, with splined bushing



Cod. 639081
Art. 954L
Splined bushing (for side mounting)
50 mm.



Cod. 639121
Art. 960PN
Open/Close and Stop push
buttons to be mounted on
the cover.



Cod. 639170
Art. 960M
Unlocking device by cable.



Cod. 639550
Art. KITAVV
Accessories kit for counterweight doors, to be
screwed: **1 x 953NL - 2 x 952BL -**
2 x 950V - 2 x 955V - Warning sign



Cod. 380380
Art. 953NL
Fixing plate 1,99 mt.



Cod. 639070
Art. 952BL
Pair of pipes with bushing,
2 mt (for central mounting)



Cod. 639144
Art. 950VR
Telescopic **reinforced**
straight arm to be screwed,
right and left



Cod. 639150 right
Art. 951V
Telescopic bent arm
to be screwed.



Cod. 639080
Art. 954
Splined bushing (for side mounting).



Cod. 639160
Art. 954V
Splined bushing to be
screwed, 300 mm.



Cod. 639100
Art. 960C
Hole cover with Viro key
for external unlocking



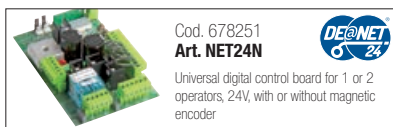
Cod. 639171
Art. 960ME
External unlocking device
by cable



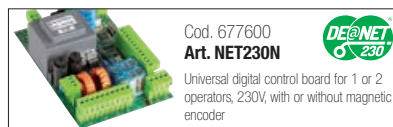
Cod. 639551
Art. KITSALD
Accessories kit for counterweight doors, to be
welded: **1 x 953NL - 2 x 952BL -**
2 x 950 - 2 x 954 - 2 x 955 - Warning sign

COUNTERWEIGHT
DOORS

OTHER ACCESSORIES



Cod. 678251
Art. NET24N
Universal digital control board for 1 or 2
operators, 24V, with or without magnetic
encoder



Cod. 677600
Art. NET230N
Universal digital control board for 1 or 2
operators, 230V, with or without magnetic
encoder



Cod. 661062
Art. LED230AI
Led flashing light 230V with
built-in antenna 433Mhz



Cod. 672580
Art. TR2
Remote control
Black version art. TR2N also available
(page 118)



Cod. 672590
Art. TR4
Remote control
Black version art. TR4N also available
(page 118)



Cod. 662020
Art. 104MINILUX
Pair of surface mounted photocells,
Range 20 mt



Cod. 662030
Art. 104LUX
Pair of adjustable (15°) surface
mounted photocells



Cod. 663030
Art. 102LUX
Keyswitch with two contacts, flush
mounted. Supplied with 2 keys.



Cod. 663280
Art. DIGIRAD
Wireless keypad



Cod. 663270
Art. DIGINET
Hardwired keypad for BUS connections
to MASTER devices of range DE@NET
(NET24N, NET230N, MASTERNET)



Cod. 629290
Art. BAT
Rechargeable batteries kit for 24V
operators, 12V - 1,3Ah, complete
with wiring cables